

Application

volumetric / gravimetric feeding of solids.

Pellets Micro-Pellets Grind Powder Fibers

SCHOLZ TWIN20

Double-Screw Feeder with Agitator.

- suitable for sticky, dull, also very light additives
- available with double motorisation for heavy metal powders
- with horizontal agitator as standard
- removable front and rear plate for easy cleaning

Dosing-capacity of the SCHOLZ TWIN-Series

kg/h (bei 0,5kg/l)	0,1	1	5	10	50	100	500	1.000	5.000	10.000	25.000
TWIN20											
TWIN40											
TWIN60											

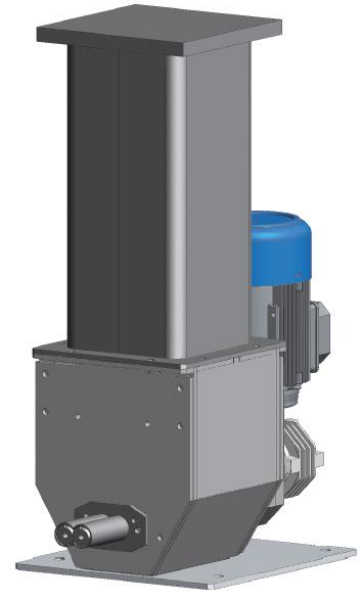
Screw pairs: DK concave / DK concave narrow / DV Fullblade / special
 Tube-Outlet: horizontal / vertical / with shutter
 Hopper: 4 Liter
 Add. Hopper: 6 / 30 / 50 Liter
 Lid: for manual refilling / automatic refilling
 Options: ATEX
 Material: Stainless Steel 1.4301
 Weight: appr. 25kg (without hoppers)
 Dimensions: 275x250x232mm (WxDxH)
 Gear-Motor:
 A i=10 Δ230/Y400V; 1,75/1,0A; 0,25kW; 1340; 50Hz
 B i=30 Δ230/Y400V; 1,75/1,0A; 0,25kW; 1340; 50Hz
 C i=80 Δ230/Y400V; 1,75/1,0A; 0,25kW; 1340; 50Hz

Loss-in-weight-Feeder DUPLO20

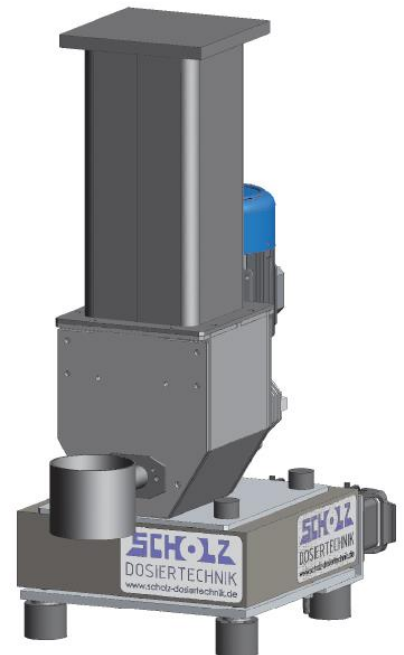
In combination with a SCHOLZ BASIC platform scale, you have a gravimetric feeding-scale.

Scale:	BASIC300	BASIC400
Capacity:	30 / 75kgs	75 / 150 / 300kgs
Platform:	300 x 300mm	400 x 400mm
Scale:	390 x 300 x 150mm	490 x 400 x 150mm (DxWxH)
Material:	Alu / Stainless Steel	Alu / Stainless Steel
Execution:	plug & play	plug & play
Own weight:	11kgs	16kgs

The SCHOLZ-CON-TRUST control system enables single- and multi-component operation.



TWIN20 with 6-Liter-Hopper and horizontal tube-outlet



TWIN20 with 6-Liter-Hopper and vertical tube-outlet placed on platform scale BASIC300