

## Application

volumetric / gravimetric feeding of solids.

- Pellets     Micro-Pellets     Grind     Powder     Fibers

## SCHOLZ FLEX130

Single-Screw Feeder with flexible hopper.

- separate paddle-drive as standard
- flexibly adjustable paddles (stroke, distance, size)
- PU-hopper with stable frame for easy handling
- Made in Germany

### Dosing-capacity of the SCHOLZ FLEX-Series

kg/h (bei 0,5kg/l)	0,1	1	5	10	50	100	500	1.000	5.000	10.000	25.000
FLEX50											
FLEX80											
<b>FLEX130</b>											

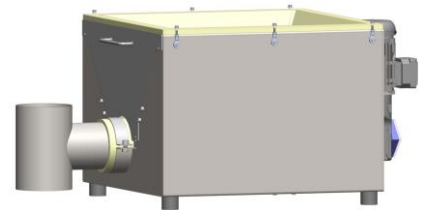
- Screws:             $\varnothing$  100mm to  $\varnothing$  125mm in full-blade / spiral / with core / double-helix / notched / special / coated
- Tube-Outlet:     $\varnothing$  100mm to  $\varnothing$  125mm horizontal / vertical / with shutter
- Hopper:            100 Liter in standard / FDA / acid / high-temp / ATEX
- Add. Hopper:    60 to 300 Liter round / square, expandable
- Lid:                 for manual / automatic refilling / flap-lid / plexiglass / for conveyors
- Options:           Agitator / ATEX / run control / outlet-compensation
- Material:          Stainless Steel 1.4301, Hopper Polyurethan-based mixture
- Weight:            appr. 115kg (without hoppers)
- Dimensions:      700x700x540mm (DxWxH)
- Gear-Motor:      A i=5,1     $\Delta$ 230/Y400V; 0,99/1,71A; 0,37kW; 1425U/min; 50Hz  
                          B i=17,8    $\Delta$ 230/Y400V; 0,99/1,71A; 0,37kW; 1425U/min; 50Hz  
                          C i=60,1    $\Delta$ 230/Y400V; 0,62/1,07A; 0,18kW; 1400U/min; 50Hz
- Paddle-Motor:    i=58       $\Delta$ 230/Y400V; 0,71/0,41A; 0,09kW; 1360U/min; 50Hz

## Loss-in-weight-Feeder TITAN

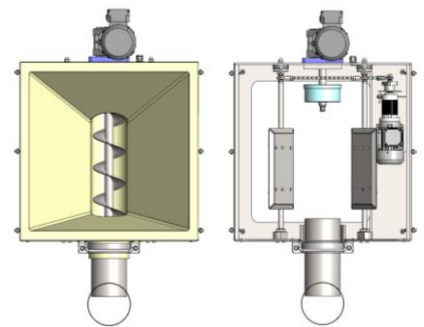
In combination with a SCHOLZ BASIC platform scale, you have a gravimetric feeding-scale.

- Scale:              **BASIC700**
- Capacity:          300 / 1000kg
- Platform:          700 x 700mm
- Dimensions:      790 x 700 x 150mm (DxWxH)
- Material :          Alu / Stainless Steel
- Execution:        plug & play
- Own weight:      40kg

The SCHOLZ-CON-TRUST control system enables single- and multi-component operation.



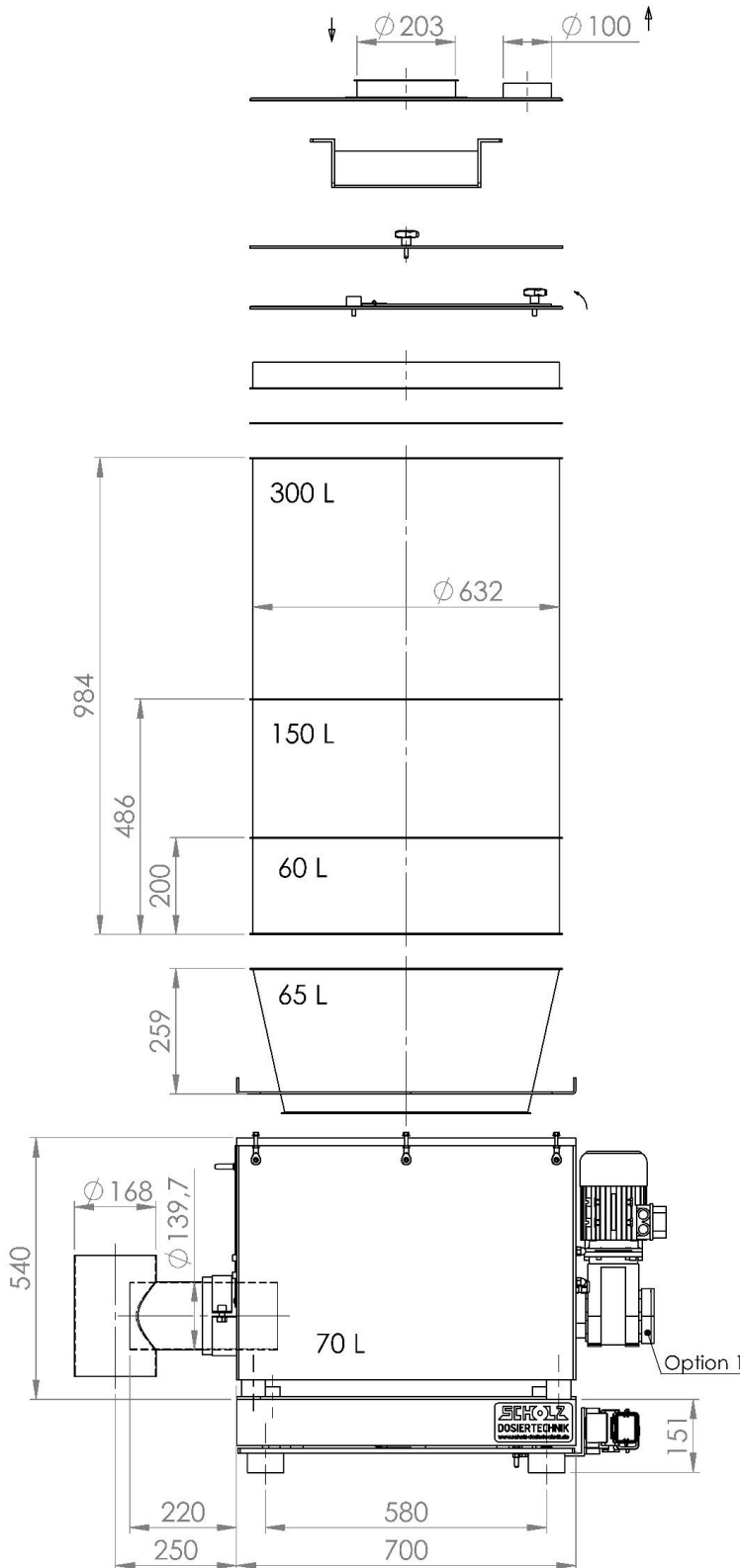
FLEX130 with vertical tube-outlet



Top view with / without PU-hopper



FLEX130 with 65+150-Liter-hoppers and vertical tube-outlet placed on Platform scale BASIC700



**AUTO LID**

ALR-6 4,5 kg

**GUIDE ANGLE**

GA 1,3 kg

**MANUAL LID**

MLR-6 4,4 kg

**FLAP LID**

FLR-6 5,3 kg

**SAFETY GRID**

GAR-6 1,9 kg  
SGR-6 1,2 kg

**BASIC HOPPER**

RH-300-610 30,0 kg  
RH-150-65 16,0 kg  
RH-60-62 6,0 kg

**BASIC FLANGE**

BF-630 20,0 kg

**FEEDER**

FLEX130 115,0 kg

Option 1  
FLEX130-RC 0,5 kg  
RUN CONTROL

**SCALE**

BASIC700 20,0 kg

Differential-Dosierwaage TITAN  
Loss-in-Weight-Feeder TITAN