

Application

volumetric / gravimetric feeding of solids.

- Pellets Micro-Pellets Grind Powder Fibers

SCHOLZ FLEX80

Single-Screw Feeder with flexible hopper.

- separate paddle-drive as standard
- flexibly adjustable paddles (stroke, distance, size)
- PU-hopper with stable frame for easy handling
- Made in Germany

Dosing-capacity of the SCHOLZ FLEX-Series

kg/h (bei 0,5kg/l)	0,1	1	5	10	50	100	500	1.000	5.000	10.000	25.000
FLEX50											
FLEX80											
FLEX130											

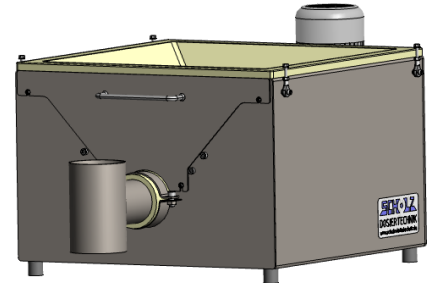
- Screws: \varnothing 31mm to \varnothing 75mm in full-blade / spiral / with core / double-helix / notched / special / coated
- Tube-Outlet: \varnothing 31mm to \varnothing 80mm horizontal / vertical / with shutter
- Hopper: 35 Liter in standard / FDA / acid / high-temp / ATEX
- Add. Hopper: 40 to 200 Liter round / square, expandable
- Lid: for manual / automatic refilling / flap-lid / plexiglass / for conveyors
- Options: Agitator / ATEX / run control / outlet-compensation
- Material: Stainless Steel 1.4301, Hopper Polyurethan-based mixture
- Weight: appr. 80kg (without hoppers)
- Dimensions: 600x600x430mm (DxWxH)
- Gear-Motor: A $i=5,1$ $\Delta 230/Y400V$; 0,99/1,71A; 0,37kW; 1425U/min; 50Hz
 B $i=17,8$ $\Delta 230/Y400V$; 0,99/1,71A; 0,37kW; 1425U/min; 50Hz
 C $i=60,1$ $\Delta 230/Y400V$; 0,62/1,07A; 0,18kW; 1400U/min; 50Hz
- Paddle-Motor : $i=58$ $\Delta 230/Y400V$; 0,71/0,41A; 0,09kW; 1360U/min; 50Hz

Loss-in-weight-Feeder SOLID

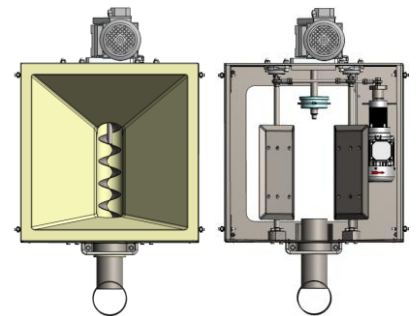
In combination with a SCHOLZ BASIC platform scale, you have a gravimetric feeding-scale.

- Scale: **BASIC600**
- Capacity: 300kg
- Platform: 600 x 600mm
- Dimensions: 690 x 600 x 150mm (DxWxH)
- Material: Alu / Stainless Steel
- Execution: plug & play
- Own weight: 30kgs

The SCHOLZ-CON-TRUST control system enables single- and multi-component operation.



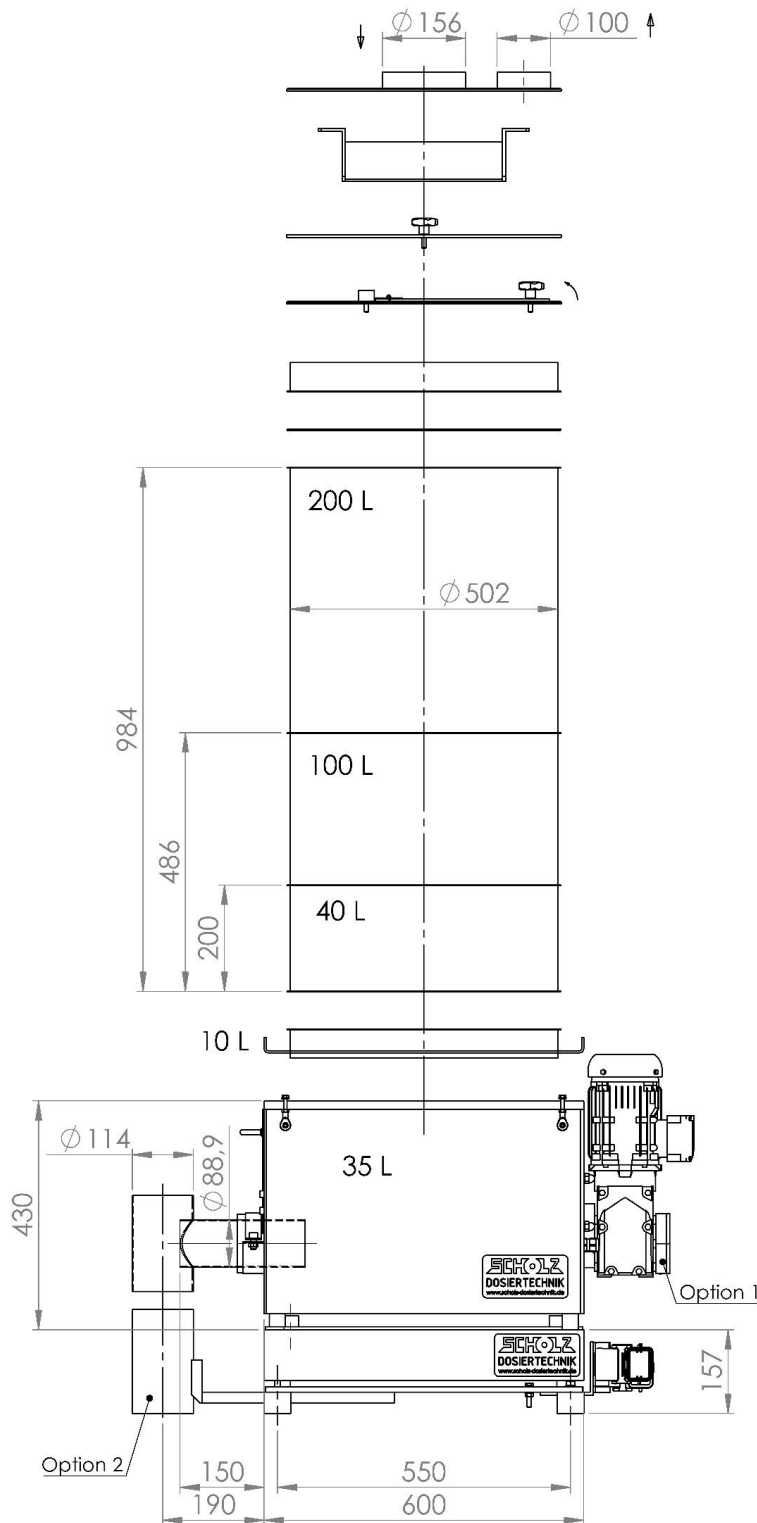
FLEX80 with vertical tube-outlet



Top view with / without PU-hopper



FLEX80 with 100-Liter-Hopper and vertical tube-outlet placed on Platform scale BASIC600



AUTO LID

ALR-5 3,0 kg

GUIDE ANGLE

GA 1,3 kg

MANUAL LID

MLR-5 2,8 kg

FLAP LID

FLR-5 3,5 kg

SAFETY GRID

GAR-5 1,6 kg

SGR-5 0,7 kg

BASIC HOPPER

RH-200-510 25,0 kg

RH-100-55 12,0 kg

RH-40-52 4,0 kg

BASIC FLANGE

BF-500 7,5 kg

FEEDER

FLEX80 80,0 kg

Option 1 FLEX80-RC 0,5 kg

RUN CONTROL

SCALE

BASIC600 30,0 kg

Option 2 BASIC600-OC 2,1 kg

OUTLET COMPENSATION

Differential-Dosierwaage SOLID
Loss-in-Weight-Feeder SOLID